

All Rights Reserved

Materials and specifications are subject to change without notice. Featured machines in photos may include additional equipment. See your XCMG dealer for available options.



Mini Excavators
XE35E



XCMG European Sales & Services GmbH

Add: Europark Fichtenhain B 4, 47807 Krefeld, Deutschland

Tel: +49 (0) 2151 8209 351

Fax: +49 (0) 21 51-82 09-499

E-mail: Europe@xcmg.com

www.xcmg.com

XUZHOU CONSTRUCTION MACHINERY GROUP IMP. & EXP. CO., LTD

Add:NO.1, Tuolanshan Road, Xuzhou Economic Developing Zone,
Jiangsu,China 221004

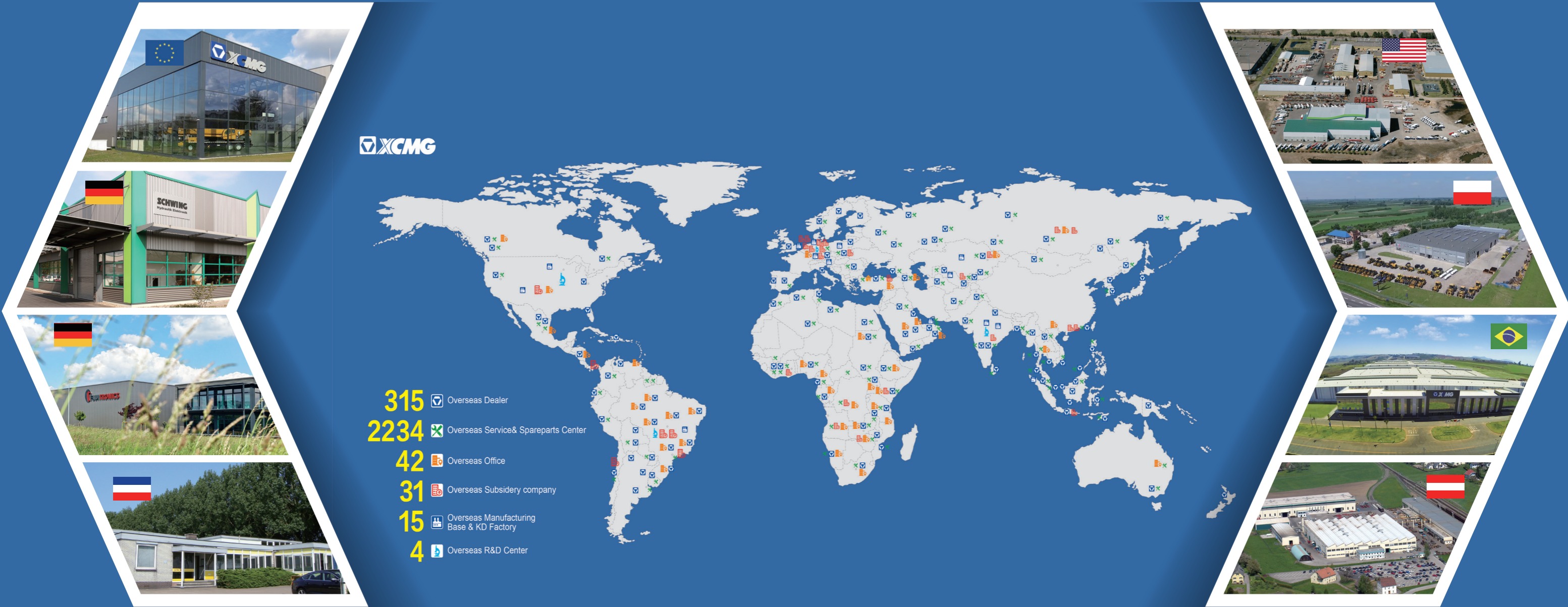
Tel: +86 (0) 516 8773 9228

Fax: +86 (0) 516 8773 9230

E-mail: Europe@xcmg.com

Rated Power: 18.2 kw
Operating Weight: 4.2 t
Standard Bucket Capacity: 0.12 m³





INTRODUCTION OF XCMG

Founded in 1943, XCMG is a multinational corporation with the most comprehensive range of competitive, influential products in the construction machinery industry. Our business covers eight key areas: construction machinery, heavy trucks, mining machinery, sanitation machinery, machinery components, construction, finance, and the ICT industry.

XCMG has established a global R&D system with a total of six centers across China, the US, Germany, Brazil and India, with China national technology center at its core. In addition to a number of manufacturing bases across China, the US, Germany, the Netherlands, Poland, Austria, Brazil, India, and Uzbekistan, we possess two complete machine brands (XCMG, Schwing), and several component brands including FT, AMCA, and Wika. It is the strength of this global R&D system and manufacturing operations that has made XCMG the industry-leading global construction equipment manufacturer that it is today.

For more than 30 years, XCMG has been sowing the seeds of overseas development as the No. 1 exporter in China's construction machinery industry. Today, we have 42 branches and offices, 315 distributors, 526 contractors in 188 countries and regions worldwide.

XCMG IN EUROPE

Since its inception in 2012, in these years of quick development in Europe, XCMG has gradually established a completed system including R&D development, local distribution network, supply chain management and an integrated customer services center.

Nowadays, with 4 branches, XCMG has 178 multinational employees in Europe, of which more than 50% are R&D engineers:

ERC: XCMG European Research Center GmbH

EPC: XCMG European Purchasing Center GmbH

ESS: XCMG European Sales and Services GmbH

Our local professional R&D team and cutting-edge innovation platform guarantee that our products are carefully crafted to the smallest detail according to diverse needs of European customers.



► A superior model with passionate design

Developed with the concept of "Safe reliable efficient comfortable", the XE35E hydraulic excavator offers additional value to the operator. New features are presented making the machines more productive, versatile, and cost effective.

- Yanmar 3TNV88F engine, along with the electronic optimization of the hydraulic system provide high operating efficiency and fuel economy.
- This compact excavator is designed and built to work on more jobsites while reducing risk of damage to the machine and its surroundings.
- Convenient service features make maintenance easy, reducing your downtime.

Zero-tail Swing

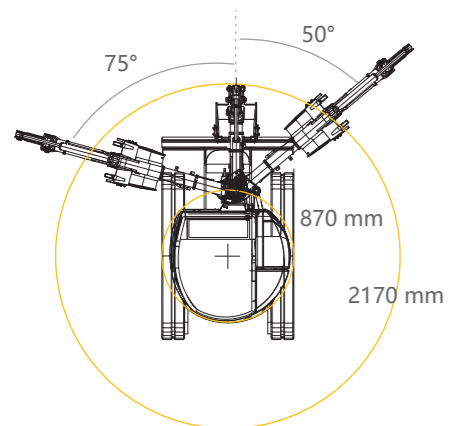
makes the XE35E an advanced mini excavator. The 360° swivel, excellent stability and smooth control, combined with unmatched power and efficiency, mean there are no limits to what you can accomplish — even in heavy traffic areas and inside buildings.

Optimized efficiency

contributes to lower costs, increased productivity and maximum uptime, a number of efficient features combined on the XE35E. ECO mode allows you to choose the right machine setting for the job at hand for impressive fuel efficiency. Robust design and quality digging equipment deliver durability and long term machine value.

Engine speed knob

allows easy engine control.



Most compact one than ever.



Extending Undercarriage and Blade

allow the machine to be configured for excellent working stability and optimum performance. Blade extensions simply rotate and lock out of the way using retained pins eliminating the potential for lost parts.

► Large operator environment with ergonomic control layout

The XE35E gives the operator a large comfortable space in which to work. The ergonomic control layout, travel pedals and adjustable wrist rests are engineered to reduce operator fatigue and increase productivity.



- 1 Suspension seat
- 2 Boom swing pedal
- 3 Rest pedal
- 4 Safety lever
- 5 Dozer blade control lever
- 6 LCD color monitor
- 7 Joystick
- 8 Traveling control levers
- 9 Emergency switch

Serviceability

The fully opening access provides quick&easy access to all inspection and maintenance

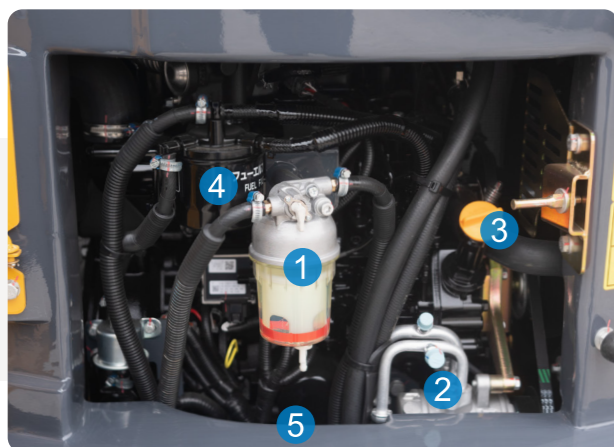
Simplest and easiest way to work

The status and condition of all components can be seen at a glance. The convenient and easy serviceability are really impressive. The most advanced technology developed by XCMG German research center was integrated into the XE35E excavator for powerful performance and simple, easy maintenance.



Excellent Service Access

Daily checks and regular service points including fuel and hydraulic oil fill are easily reached via the large steel rear door. The main hydraulic valve and lines are also easily reached through a removable floor plate and side panels. The machine has durable steel body panels all around, offering good resistance to impact damage and helping to maintain the machine's appearance and value.



- 1 Fuel water separator
- 2 Compressor freon fill port
- 3 Engine oil fill port
- 4 Fuel filter
- 5 Engine oil filter

Technical Specifications

Engine

XE35E	
Make/model	YANMAR 3TNV88F
Fuel/cooling	Diesel/Liquid, forced circulation
No. of cylinders	3
Piston displacement	1642 cm ³
Nominal flywheel power	18.2 kw (24.7 hp) at 2200 rpm (ISO 14396)
Max torque	85.3-94.2 Nm/1320
Bore × stroke	88 mm × 90 mm
Alternator	12 V / 40 A

Hydraulic system

This original design enables both independent and combined operations of all functions, joystick control type operations.

Pump

XE35E	
Type	Single outlet variable displacement, load sensing torque limited pump with gear pumps
Total hydraulic capacity	108 l/min
Auxiliary flow	40 l/min
Auxiliary relief	180 bar

Maximum system pressure

XE35E	
Boom/bucket/arm	270 bar
Travel	230 bar
Swing	200 bar

Undercarriage

Tractor-type undercarriage. Heavy-duty track frame, all welded stress-relieved structure. Top-grade materials are used for toughness. Side frames are welded, securely and rigidly, to the track frame. Lifetime-lubricated track rollers, idlers with floating seals. Hydraulic track adjusters with shock-absorbing recoil springs.

Number of rollers and track shoes

XE35E	
Lower rollers (per side)	4
Track shoes	Steel
Overall track length	2220 mm
Shoe width	300 mm

Weight

XE35E	
Operating weight with cab and bucket (ISO 6016)	4200 kg
Ground pressure with rubber tracks	0.36 kgf/cm ²
Transport mass (no attachment)	4125 kg
Weight of steel tracks	448 kg
Weight of rubber tracks	292 kg

Fluid capacities

XE35E	
Cooling system (radiator capacity)	8 L
Engine lubrication plus oil filter	7 L
Fuel tank	40 L
Hydraulic tank	45 L
Hydraulic system	39.7 L
Final drive case (each)	0.7 L

Environment

Noise levels comply with environmental regulations (dynamic values).

Noise emission

XE35E	
Noise level LpA (EU Directive 2000/14/EC)	76 dB(A)
Noise level LwA (EU Directive 2000/14/EC)	94 dB(A)

Swing mechanism

High-torque, axial piston motor with planetary reduction gear bathed in oil. Swing circle is single-row, shear type ball bearing with induction-hardened internal gear. Internal gear and pinion gear immersed in lubricant. A two position swing lock secures the upper structure for transportation.

Swing system

XE35E	
Boom swing, left	75°
Boom swing, right	50°
Slew rate	9 rpm

Drive

Each track is driven by an independent, high-torque, axial piston motor through planetary reduction gears. Two control levers provide smooth travel or counterrotation upon demand.

Speed & traction



XE35E	
Travel speed (low - high)	2.2-3.6 km/h
Traction force	3160 kgf
Gradeability	30°

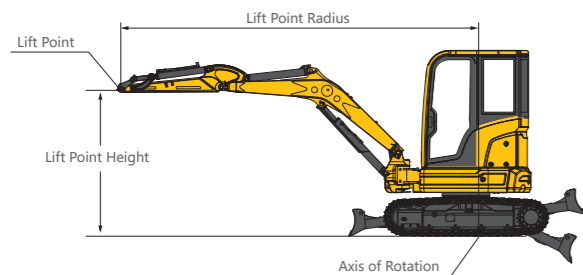
Digging forces (ISO 6015)



XE35E	
Digging force, standard arm (ISO 6015)	20.3 kN
Digging force, long arm (ISO 6015)	18 kN
Digging force, bucket (ISO 6015)	28.6 kN
Drawbar pull	34 kN

XE35E

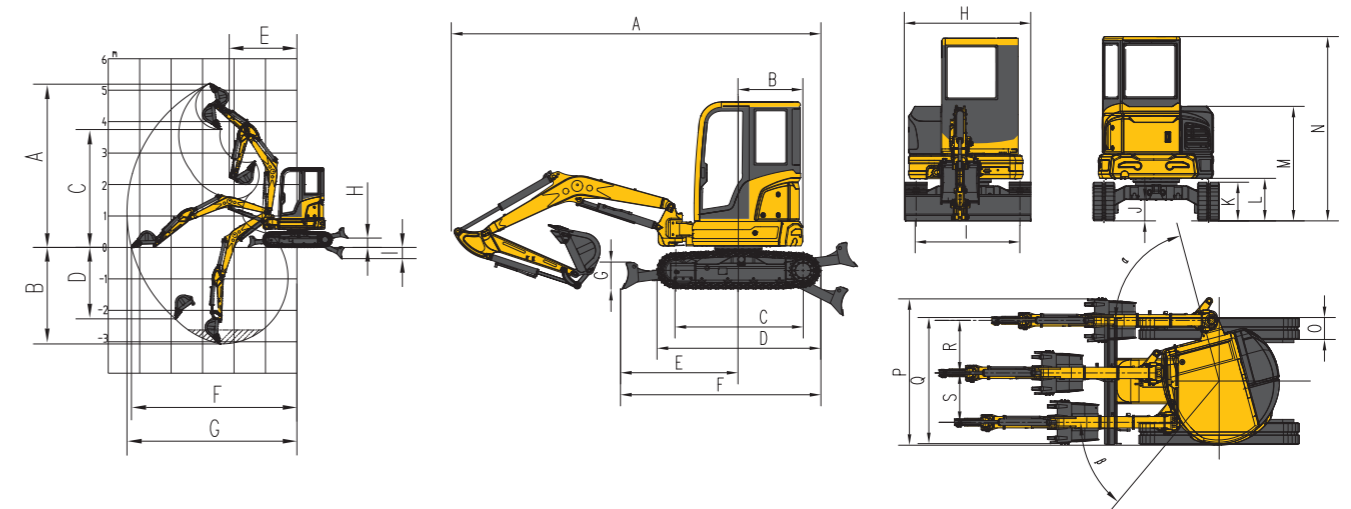
Standard arm (1350 mm)•standard counter weight• bucket

Lift Point Height	Over Front 			Over Side 			Lift Point Height
	Lift At Max Radius(kg)	2.0 m	3.0 m	Lift At Max Radius(kg)	2.0 m	3.0 m	
4 m	856.4*		820.4*	771.4		820.4*	3337
3 m	653.5/800.6*		833.9*	697.4/812.1*		833.9*	4137
2 m	567.6/802.6*	1966.3*	1041.1/1100.9*	687.1/876.9*	1583.2	584.5	4570
1 m	543.2/836.8*		995.2/1419.8*	670.2/982.1*		830.1	4672
0 m	565.1/857.3*	1357.5*	971.7/1518.9*	658.3/1021.2*	480	807.7	4502
-1 m	656.3/867.3*	1851.8/2198.3*	971.1/1361.9*	659.7/875.8*	1462.7	806.3	4017
-2 m	787.6*	1314.3*		787.6*	1314.3*		3012



 : Over front
 : Over side or 360°

- The lifting capacity is in accordance with ISO10567-2007.
- All that marked with (*) refers to the lifting capacity limited by the hydraulic capacity.
- The lifting capacity displayed should not exceed 75% of the minimum tipping amount or 87% of the hydraulic capacity.



Working range

	XE35E	
A	Maximum digging height-std arm	5000 mm
B	Maximum digging depth- std arm	3060 mm
C	Maximum dumping height- std arm	3600 mm
D	Maximum vertical wall digging depth-std arm	2260 mm
E	Minimum swing radius- std arm	2170 mm
F	Maximum digging reach at ground level- std arm	5200 mm
G	Maximum digging radius- std arm	5300 mm
H	Maximum dozer lifting height	305 mm
I	Maximum dozer cutting depth	360 mm

Dimensions

	XE35E	
A	Over length	4970 mm
B	Tail slew radius	870 mm
C	Tumbler length	1721 mm
D	Track length	2200 mm
E	Dozer blade, maximum reach at ground level	1590 mm
F	Undercarriage length	2690 mm
G	Dozer blade height	367 mm
H	Overall width	1740 mm
I	Track gauge	1440 mm
J	Minimum ground clearance	297 mm
K	Track height	531 mm
L	Ground clearance of counterweight	587 mm
M	Over all height of engine hood	1576 mm
N	Overall height	2550 mm
O	Track shoe width	300 mm
P	Working width at maximum right-hand rotation	2005 mm
Q	Working width at maximum left-hand rotation	1728 mm
R	Maximum boom offset to the right	770 mm
S	Maximum boom offset to the left	580 mm
α	Maximum boom swing angle to the left	75°
β	Maximum boom swing angle to the right	50°

Standard and optional equipment

Engine

Yanmar engine 3TNV88F, EU Stage V	●
-----------------------------------	---

Hydraulic system

Single way pipeline	●
Boom swing	●
Dozer holding valve	●
Load-sensitive hydraulic system	●

Canopy

TOPS cab	●
Mechanical suspension seat	●
Air conditioning	●
Colorful LCD monitor	●
12 V power socket (for cigarette lighter/ USB)	●
DAB radio with Bluetooth	●

Undercarriage

Fixed undercarriage	●
Dozer blade	●
Track guards	●
Rubber tracks 300 mm	○
Steel tracks 300 mm	●

Safety

Battery disconnection switch	●
Travel alarm	○
Rotation beacon	●
Engine overheat warning and restart prevention system	●
Quick coupler switch with alarm	○
Emergency stop switch	●
Front and top cab protection	○
LED work lights (2 on cab-front, 1 on cab-rear, 1 on boom)	●

Other

Standard arm 1350 mm	●
GP bucket 0.12 m ³	○
Narrow bucket 0.06 m ³	○
Quick coupler, attachments such as hammer	○

Standard: ●
Optional: ○

Some of these options may be standard in some markets. Some of these options may not be available for certain markets. Please check with your local XCMG dealer for more information about availability or to adapt your machine to your application needs.



Optimum services , XCMG Guaranteed



XCMG approved attachments



Genuine parts



Extension of warranty



Financial solutions



Maintenance contract



Telematics



Monitoring systems

Professional Integrated Complete Solutions

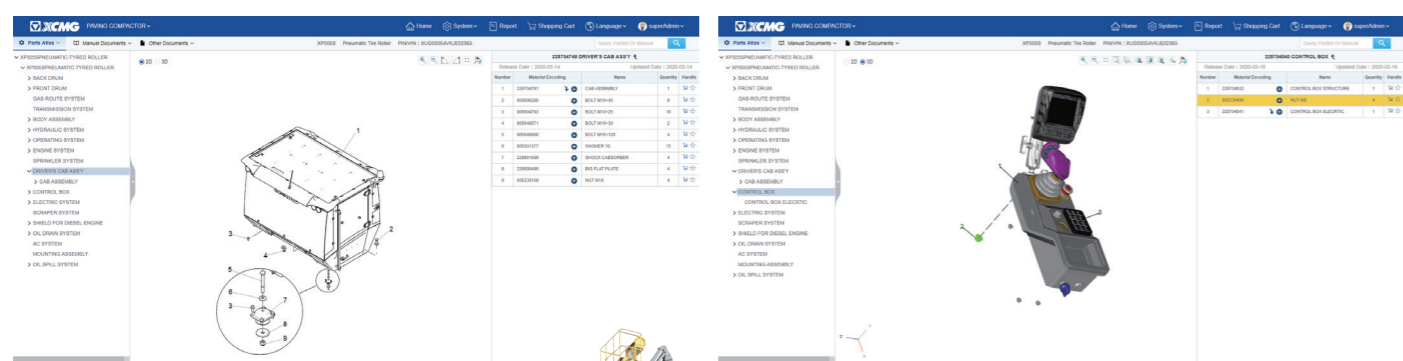
XCMG group has built a strong reputation based on the quality, reliability and durability of its construction machinery. What's more, XCMG has gradually established a service network to constantly provide its local integrated and highly efficient complete solutions for all users.

Full range of services ready for you

In order to respond to your needs as fast as possible, XCMG experts are on their way to your job site from one of our facilities near you. Full range of services are available in order to reduce your total cost of ownership and increase your revenue.



XCMG Global Spareparts System



Mobile cranes



Excavators



Aerial work platforms



Wheel loaders



Road machinery

